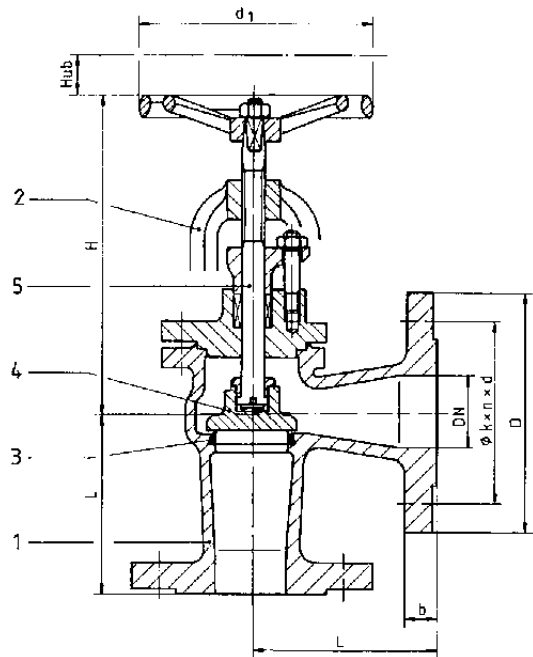




**Absperrventil aus Stahlguß, GSC 25 - Rotguß, Form B, mit Flanschen**  
**DIN 86251**  
**PN 25/40**

**shut-off valves of cast steel, GSC 25 - bronze, type B, with flanges**  
**DIN 86251**  
**PN 25/40**

| Teil part | Bezeichnung partname | Werkstoff material | Werkst. Nr. material no. |
|-----------|----------------------|--------------------|--------------------------|
| 1         | Gehäuse body         | GSC 25 cast steel  | 1.0619                   |
| 2         | Bügeldeckel bonnet   | GSC 25 cast steel  | 1.0619                   |
| 3         | Sitz seat            | G-Cu Sn 5 Zn Pb    | 2.1096.01                |
| 4         | Kegel disc           | G-Cu Sn 5 Zn Pb    | 2.1096.01                |
| 5         | Spindel spindle      | Cu Zn 35 Ni        | 2.0540                   |



**Abnahme durch alle Klassifikationen möglich!**  
**Also available with test by all classifications!**

| DN  | H                        | L   | d1  | PN 25 |               | PN 40 |               | b     | Hub | kg   | Art.- Nr.        |
|-----|--------------------------|-----|-----|-------|---------------|-------|---------------|-------|-----|------|------------------|
|     |                          |     |     | D     | Ø k x n x d   | D     | Ø k x n x d   |       |     |      |                  |
| 15  | 150                      | 90  | 100 | 95    | 65 x 4 x 14   | 95    | 65 x 4 x 14   | 16    | 5   | 3,5  | 01 0226 032 0015 |
| 20  | 200                      | 95  | 100 | 105   | 75 x 4 x 14   | 105   | 75 x 4 x 14   | 16    | 5   | 4    | 01 0226 032 0020 |
| 25  | 200                      | 100 | 100 | 115   | 85 x 4 x 14   | 115   | 85 x 4 x 14   | 16    | 6   | 5    | 01 0226 032 0025 |
| 32  | 232                      | 105 | 125 | 140   | 100 x 4 x 18  | 140   | 100 x 4 x 18  | 18    | 8   | 6,6  | 01 0226 032 0032 |
| 40  | 240                      | 115 | 160 | 150   | 110 x 4 x 18  | 150   | 110 x 4 x 18  | 18    | 10  | 9,1  | 01 0226 032 0040 |
| 50  | 247                      | 125 | 160 | 165   | 125 x 4 x 18  | 165   | 125 x 4 x 18  | 20    | 13  | 12,2 | 01 0226 032 0050 |
| 65  | 299                      | 145 | 200 | 185   | 145 x 8 x 18  | 185   | 145 x 8 x 18  | 22    | 16  | 17,1 | 01 0226 032 0065 |
| 80  | 320                      | 155 | 200 | 200   | 160 x 8 x 18  | 200   | 160 x 8 x 18  | 24    | 20  | 24,4 | 01 0226 032 0080 |
| 100 | 380                      | 175 | 250 | 235   | 190 x 8 x 22  | 235   | 190 x 8 x 22  | 24    | 25  | 32   | 01 0226 032 0100 |
| 125 | 413                      | 200 | 250 | 270   | 220 x 8 x 26  | 270   | 220 x 8 x 26  | 26    | 32  | 46   | 01 0226 032 0125 |
| 150 | 450                      | 225 | 315 | 300   | 250 x 8 x 26  | 300   | 250 x 8 x 26  | 28    | 40  | 67   | 01 0226 032 0150 |
| 175 | auf Anfrage / on request |     |     |       |               |       |               |       |     |      |                  |
| 200 | 550                      | 275 | 400 | 360   | 310 x 12 x 26 | 375   | 320 x 12 x 30 | 30/34 | 50  | 126  | 01 0226 032 0200 |
| 250 | 657                      | 325 | 400 | 425   | 370 x 12 x 30 | 450   | 385 x 12 x 33 | 32/38 | 63  | 184  | 01 0226 032 0250 |
| 300 | 775                      | 375 | 400 | 485   | 430 x 16 x 30 | 515   | 450 x 16 x 33 | 34/42 | 75  | 270  | 01 0226 032 0300 |

Technische Änderungen vorbehalten  
 data subject to alteration